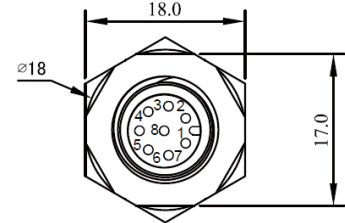
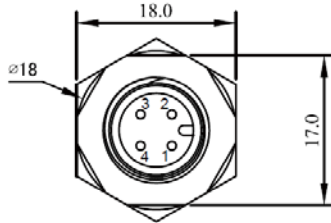
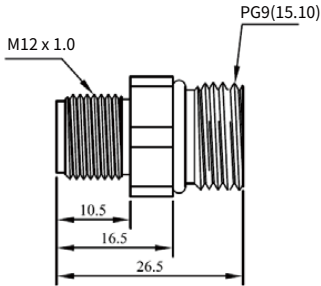


| Electric Connector | Unit : mm

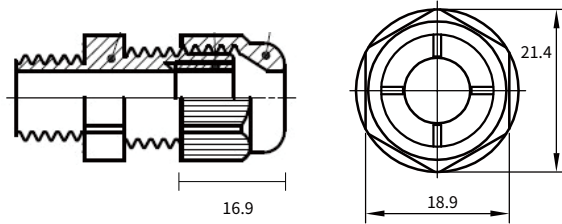
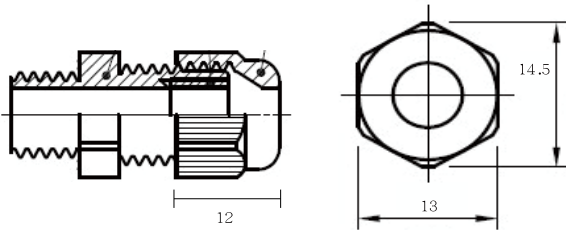
【M type(M12-4PIN metal connector)】
RS-485 or analog

【N type(M12 cable gland)】
RS-485 or analog



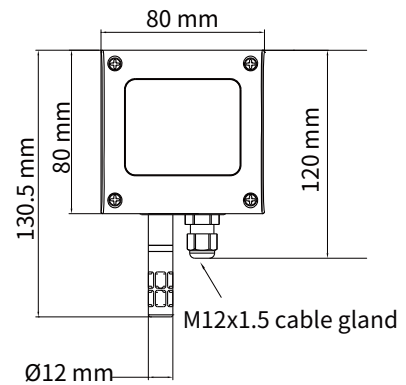
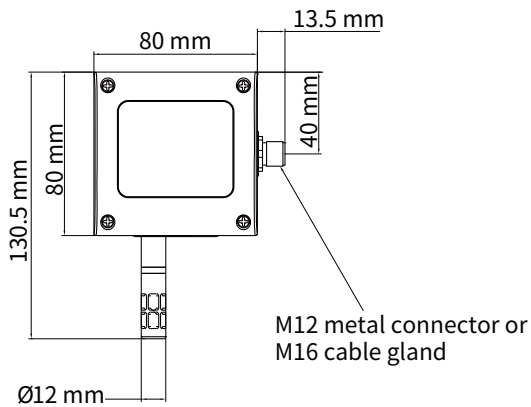
【M type(M12-8PIN metal connector)】
RS-485+analog

【N type(M16 cable gland)】 RS-485+analog



| Dimension |

【THS301 Wall type】

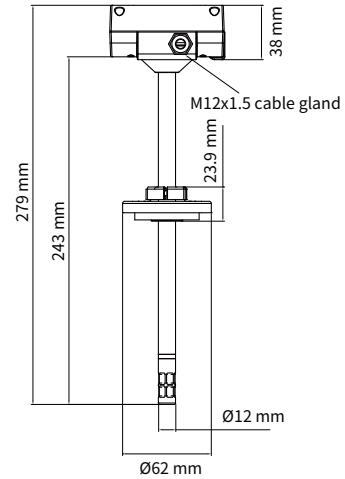
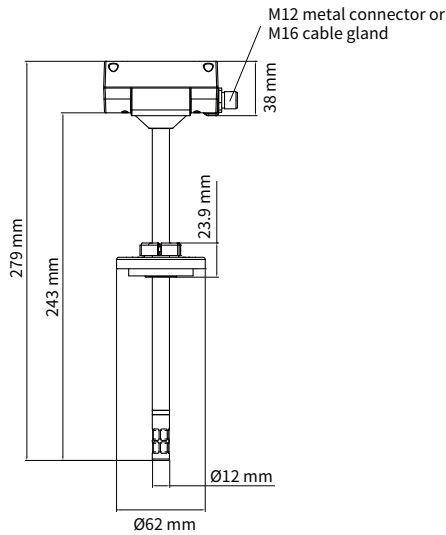


M type(4P) : RS-485 or analog
M type(8P) or N type : RS-485 + analog

N type : RS-485 or analog

| Dimension |

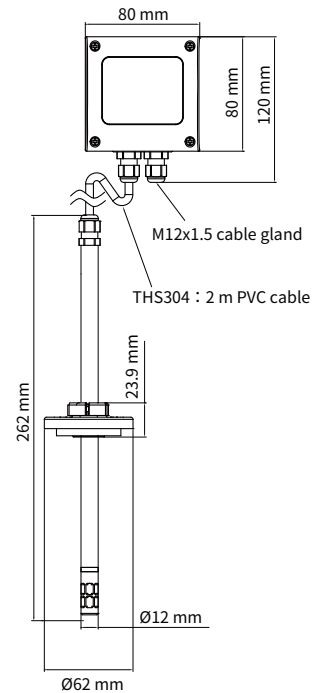
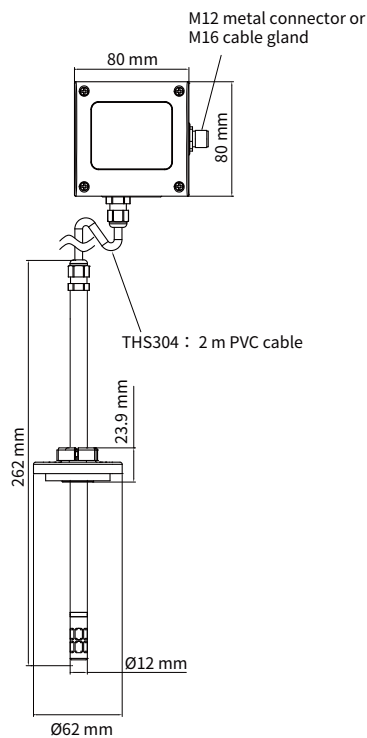
【THS302(Duct)-PC probe、Standard plastic flange】



M type(4P) : RS-485 or analog
 M type(8P) or N type : RS-485+analog

N type : RS-485 or analog

【THS304(Remote)-PC probe+2 m PVC-Standard : Plastic flange】

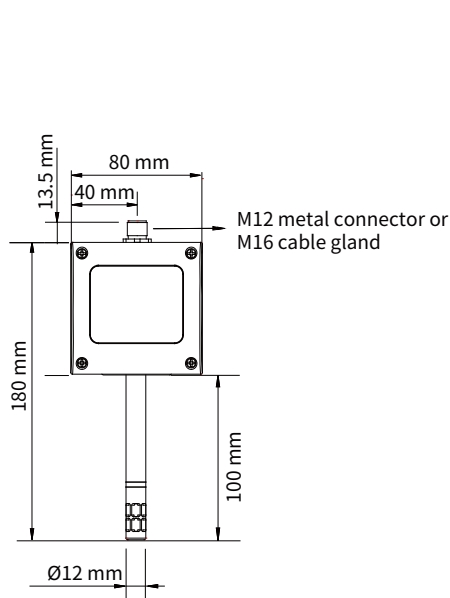


M type(4P) : RS-485 or analog
 M type(8P) or N type : RS-485+ analog

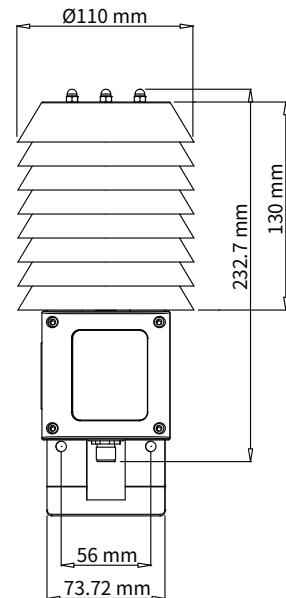
N type : RS-485 or analog

| Dimension |

【THS307(Outdoor)-PC probe+shield】

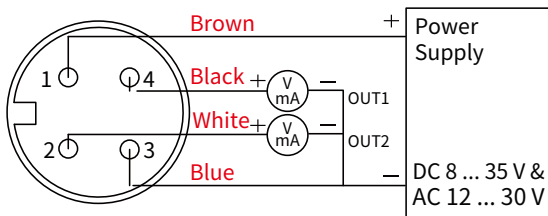


M or N type : RS-485+analog



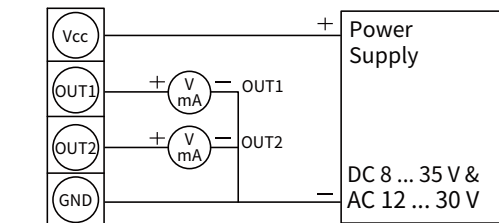
N type : RS-485 or analog

| Analog Diagram |



M12 connector

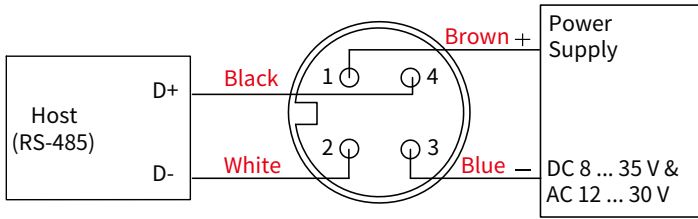
M type(4P)



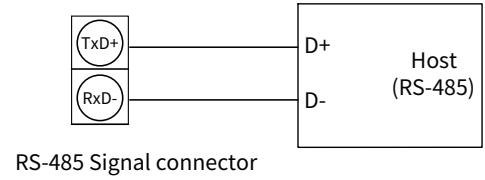
4P terminal

N type

| RS-485 Diagram |



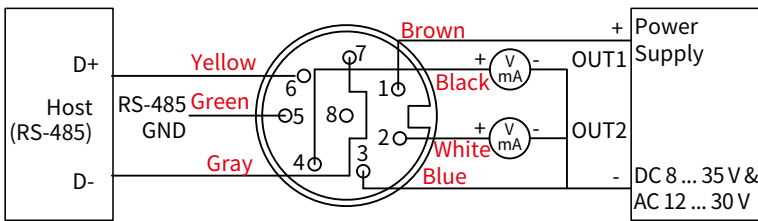
M type(4P)



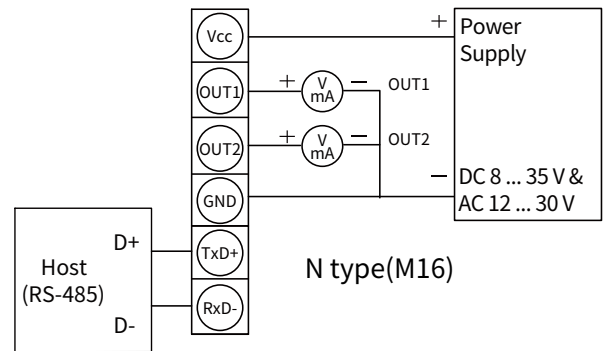
N type

※When output of ordering code is RS-485(without analog), RS-485 diagram of default setting is M type.

| Analog + RS-485 Diagram |



M type(8P)



N type(M16)

| Ordering Guide |

Installation	Physical quantity output 1	Physical quantity scale 1	Signal output 1	Physical quantity output 2	Physical quantity output 2	Signal output 2	Display	Electrical connector	Filter	Remote Cable Length	Other request	
THS30	4	T	30	1	H	00	1	D	M	P	2	U
							D : Yes X : No					W : Other request (Quote as demand) U : RS-485 + analog
						1 : 4 ... 20 mA 6 : 0 ... 10 V 9 : RS-485					2 : Standard 2 m PVC cable 5 : 5 m PVC cable	
						00 : 0 ... 100%RH						P : PC membrane filter(Standard : PC probe) S : Sintered filter(Standard : S.S. probe)
						H : Humidity N : RS-485(Default humidity)						
						1 : 4 ... 20 mA 6 : 0 ... 10 V 9 : RS-485						N : Plastic cable gland M : M12 metal connector(with 2 m cable)
						30 : 0 ... 50°C 38 : 0 ... 80°C 13 : -20 ... +40°C 14 : -40 ... +60°C YY : Special range						
						T : Temperature N : RS-485(Default temperature)						
						1 : Wall type 2 : Duct(PC probe) 4 : Remote(PC probe, PVC cable) 7 : Outdoor(PC probe, shield)						

| Additional Option Test Report |

For more detailed information please contact us.

■ ILAC / TAF

YUDEN-TECH CO.,LTD. Calibration Laboratory - (ILAC / TAF) Test report.

(TAF accreditation:3032, complying with ISO / IEC 17025) TAF has mutual recognition arrangement with ILAC MRA

Project	Measurand level or range
Hygrometer	Temperature : 0°C ... 69.5°C
	Humidity : 10% ... 95%

■ ISO 9001

Project	Measurand level or range
Temperature and Humidity	Temperature : 0°C ... 200°C
	Humidity : 0.1% ... 99.8%